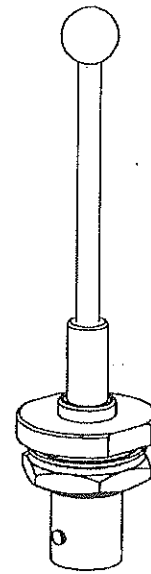


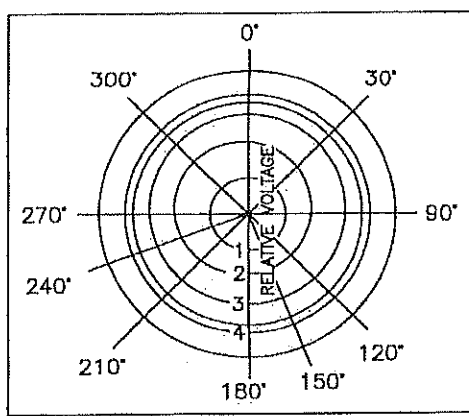
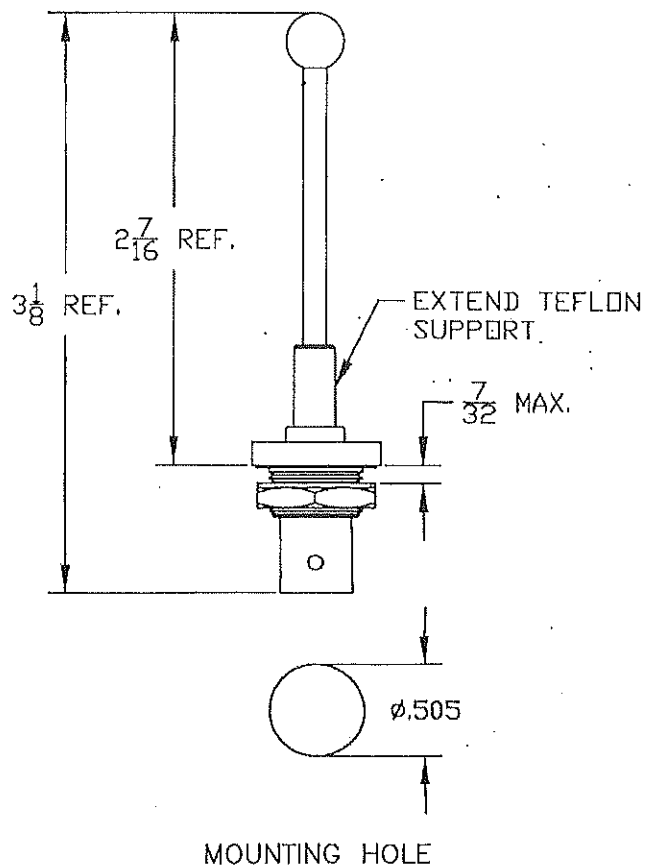
TED 104-12 monopole (post) miniature transponder antenna

TRANSPONDER ANTENNA

This monopole antenna is top loaded with a sphere to give an effectively shorter antenna and to create a factor of safety. When fed by a 50 ohm coaxial transmission line, the antenna offer a voltage standing wave ratio of 1.2:1 at 1090 MHz and less than 2:1 at 1030 MHz. The antenna presents an omnidirectional vertically-polarized radiation pattern when mounted to the underside of the aircraft fuselage. It weighs a slight .7 ounces and is readily mounted by means of "O" ring sealed single hole bulkhead feed through with type BNC female connector.



SPECIFICATIONS	
FREQUENCY	1030 TO 1090 MHz
VSWR	1.3:1 1030 MHz 1.2:1 1090 MHz
POLARIZATION	VERTICAL
RESISTANCE DC	OPEN CIRCUIT
IMPEDANCE	50 OHMS
POWER RF	1.0 KW PEAK @ 55,000 ft.
FINISH	NICKEL PLATE
ALTITUDE	30,000 FT.
AIR SPEED	300 KNOTS TAS
WEIGHT	0.05 Lb. MAX.

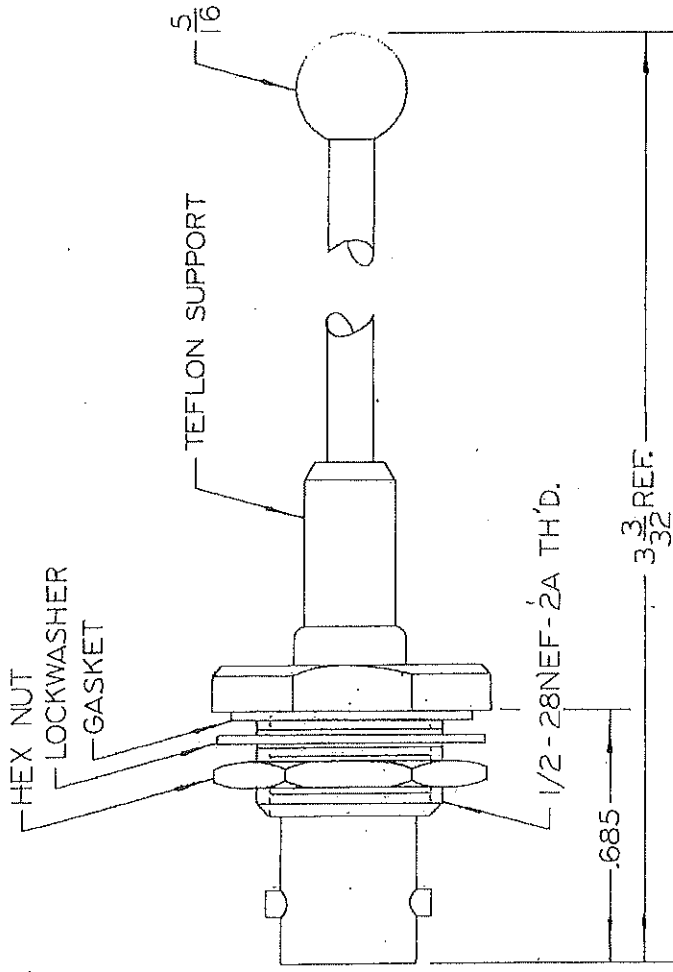
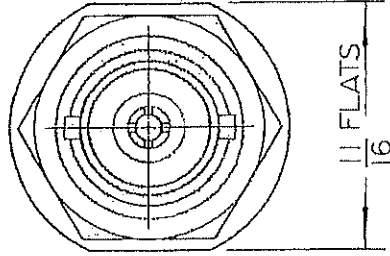
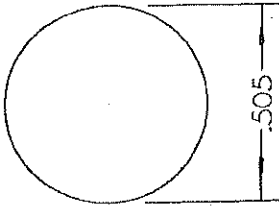


POLAR RADIATION PATTERN

IMPORTANT

ANY INFORMATION SUPPLIED IN ANY WAY WHICH PERTAINS TO THIS PART SHALL BE TREATED AS PROPRIETARY AND ITS USE OR DISCLOSURE IN WHOLE OR PART FOR PURPOSES OTHER THAN DIRECT FULFILLMENT OF CONTRACTS WITH THIS COMPANY, WITHOUT ITS WRITTEN CONSENT IS PROHIBITED.

MOUNTING HOLE



NOTES:

1. FREQUENCY; RESONANT; 1090 MC, VSWR NO GREATER THAN 1.2 TO 1.
2. 7/32 MAX. PANEL THICKNESS.

REVISIONS

Sym.	Description	Date	Approval
B	REVISED OVERALL LENGTH.	2-9-73	SEARS
C	REVISED FREQUENCY TO CUSTOMER SPEC.	10-4-77	SEARS
D	REVISED LENGTH FOR CORRECT FREQUENCY	3-29-79	SEARS

ITEM	REQD.	PART NO.	DESCRIPTION	MAT'L	MAT'L SPEC.	UNIT WT.
------	-------	----------	-------------	-------	-------------	----------

LIST OF MATERIAL

TITLE

TRANSPONDER ANTENNA



TED MANUFACTURING CORP.
11415 JOHNSON DRIVE
SHAWNEE, KANSAS

DWG. NO. 104-12
REV. D

UNLESS OTHERWISE SPECIFIED
DIMENSIONS ARE IN INCHES
TOLERANCES ON FRACTIONS DECIMALS ANGLES
 $\pm 1/64$ $\pm .005$ $\pm 1^\circ$
REMOVE ALL BURRS & SHARP EDGES
PLATE: _____
NICKEL _____
SILVER _____
GOLD _____
NON-TARNISH F532

DR. SEARS	DATE 1-13-73
CK.	DATE
APPR. <i>[Signature]</i>	DATE 1-13-73
APPR.	DATE
CUSTOMER APPROVAL	
APPR.	DATE
APPR.	DATE

SCALE PLATING AREA

