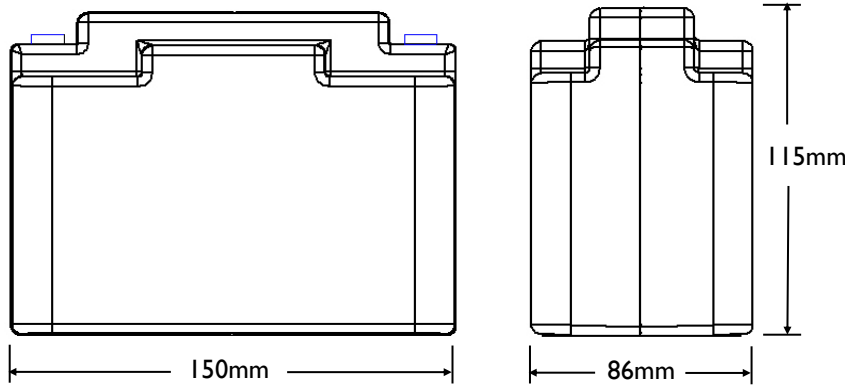


DIMENSIONS

Brass terminal: 12mm wide, 3mm high

Screws: M6 (6mm dia., 10mm length)



Lightweight LiFePO4 battery with exclusive over discharge protection, over charge protection, short circuit protection, excessive cranking protection and built in cell balancing technology.



SPECIFICATIONS

Specifications

| | |
|--|---|
| Voltage | 13.2 V |
| Ah (Lead-acid equivalent) | 24 |
| Ah (1 hour discharge rate) | 7.8 (1C rate) |
| Pulse Crank Amps (PCA) | 420A (3 sec @ 20 °C, voltage >7.2V) |
| Cold Crank Amps (CCA) | 270A (modified SAE test, 3 sec@ 0°F, voltage >7.2V) |
| Self-Discharge Rate | < 4%/month @ 25°C |
| Max Continuous Discharge Amps | 80A |
| Standard Charge Voltage | 13.9 - 14.6 V |
| Recommended Charger/Maintainer Amps | .8 - 10A |
| Max Charge Amps | 40A (from vehicle charging system) |
| Life (Charge cycles) | 4000 cycles @ 1C discharge rate, 25°C (20% depth of discharge) 2000 cycles @ 10C discharge rate, 25°C (80% depth of discharge) |
| Life (Years) | Up to 6 Years |
| Weight | 2.6 lb. (1.2Kg) |
| Dimensions | ETX24C 5.9in x 3.4in x 4.5in (150mmX86mmX115mm) |
| Environmental Rating (resistance to water intrusion) | IP 66 (wash down with a high-pressure washer) |
| Operating Temperature | -30 °C to +60 °C |

Discharge Characteristics

Discharge Ah (25DegC)

