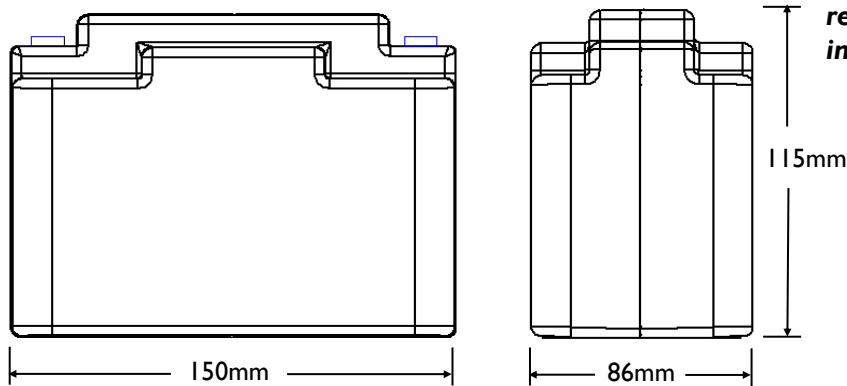




DIMENSIONS

Brass terminal: 12mm wide, 3mm high

Screws: M6 (6mm dia., 10mm length)



**Lightweight LiFePO4 battery with exclusive over discharge protection, over charge protection, short circuit protection, excessive cranking protection and built in cell balancing technology. All of these features are redundant with an LED battery fault light indicator.**



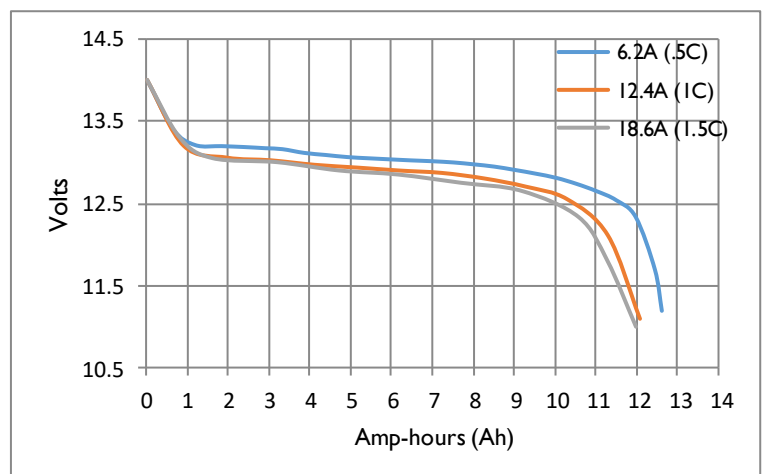
SPECIFICATIONS

## Specifications

|   |   |
|---|---|
| Voltage   | 13.2V   |
| Capacity  | 12.4Ah @ 1C Rate<br>(See charts)  |
| Capacity vs Temperature                                 | 25 °C = 100%<br>0°C = 97%<br>-30°C = 95%  |
| Self-Discharge Rate                                     | < 3% / month @ 25 °C  |
| Pulse Crank Amps (PCA)                                  | 680A (3 sec @ 25 °C,<br>voltage >9V)  |
| Cold Crank Amps (CCA)                                   | 320A (modified SAE test,<br>3 sec @ 0°F, volts >7.2V)                                 |
| Continuous Discharge Amps                               | 100A  |
| Standard Charge Voltage                                 | 13.9 - 14.6 V   |
| Maximum Charge Voltage                                  | 15V   |
| Recommended Charge Amps                                 | 5 - 15A   |
| Max Charge Amps   | 60A (from vehicle<br>charging system)   |
| Life (Charge cycles, 80% depth<br>of discharge)         | 4000 cycles @ 1C<br>discharge rate, 25°C<br>2000 cycles @ 10C<br>discharge rate, 25°C |
| Life (Years)  | Up to 6 Years   |
| Weight  | 3.9 lb. (1.8Kg)   |
| Dimensions  | 5.9 in (L) x 3.4 in (W) x<br>4.5 in (H)<br>150mm(L) x 86mm (W)<br>x 115mm (H)         |
| Environmental Rating<br>(resistance to water intrusion) | IP 66 (wash down with a<br>high pressure washer)                                      |
| Operating Temperature                                   | -30 °C to +60 °C  |
| Storage Temperature                                     | -40 °C to +70 °C  |

## Discharge Characteristics

Discharge Ah (multiple discharge rates)



Discharge Minutes (multiple discharge rates)

